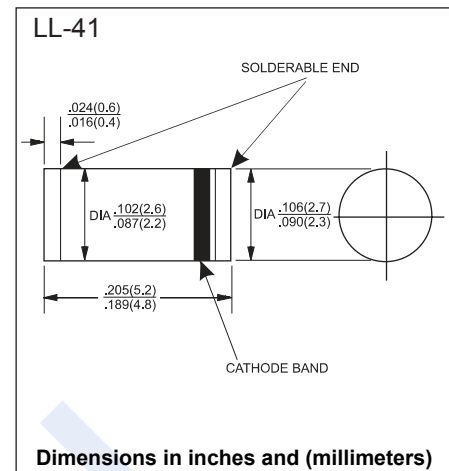


Rectifiers Diodes

KLL4001-KLL4007

■ Features

- Nominal current 1A
- Repetitive peak reverse voltage 50V to 1000V
- Silicon Rectifiers

■ Absolute Maximum Ratings $T_a = 25^\circ\text{C}$

Parameter	Symbol	Rating	Unit	
Repetitive Peak Reverse Voltage	V _{RRM}	KLL4001	50	V
		KLL4002	100	
		KLL4003	200	
		KLL4004	400	
		KLL4005	600	
		KLL4006	800	
		KLL4007	1000	
Nominal Current with Resistive Load $T_{amb}=25^\circ\text{C}$	I _{FAV}	1	A	
Surge Forward Current, 8.3ms Superimposed	I _{FSM}	30	A	
Junction Temperature	T _J	175	$^\circ\text{C}$	
Junction Storage Temperature Range	T _{stg}	-65 to 175	$^\circ\text{C}$	

■ Electrical Characteristics $T_a = 25^\circ\text{C}$

Parameter	Symbol	Test conditions	Min	Typ	Max	Unit
Forward voltage	V _F	I _F =1A, T _J =25 $^\circ\text{C}$			1.1	V
Leakage Current	I _R	at V _{RRM} , T _J =25 $^\circ\text{C}$			5	μA