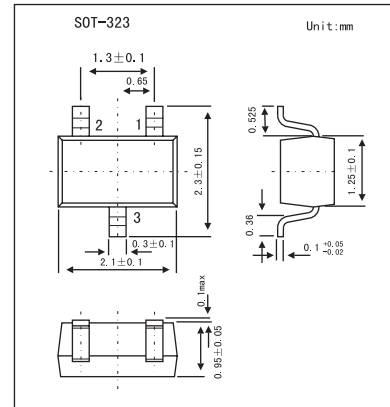
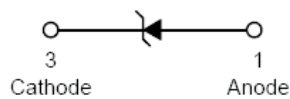


## 200mW Surface Mount Zener Diode BZX84C15W

### Features

- Planar Die Construction
- 200mW Power Dissipation
- Ultra-Small Surface Mount Package



### Absolute Maximum Ratings $T_a = 25^\circ\text{C}$

Parameter	Symbol	Rating	Unit
Forward Voltage @ $I_F = 10\text{mA}$	$V_F$	0.9	V
Power Dissipation	$P_D$	200	mW
Thermal Resistance, Junction to Ambient Air	$R_{\theta JA}$	625	K/W
Operating and Storage Temperature Range	$T_J, T_{STG}$	-65 to +150	$^\circ\text{C}$

### Electrical Characteristics @ $T_A = 25^\circ\text{C}$ unless otherwise specified

Type Number	Zener Voltage Range *1				Maximum Zener Impedance*2			Maximum Reverse Current *1		Temperature Coefficient of Zener Voltage @ $I_{ZT} = 5\text{mA}$ (mV/°C)	
	$V_Z @ I_{ZT}$			$I_{ZT}$	$Z_{ZT} @ I_{ZT}$	$Z_{ZK} @ I_{ZK}$	$I_{ZK}$	$I_R$	@ $V_R$	Min	Max
	Nom (V)	Min (V)	Max (V)	mA	$\Omega$	mA	$\mu\text{A}$	V			
BZX84C15W	15	13.8	15.6	5	30	170	1	0.1	10.5	9.2	13

\*1. Short duration test pulse used to minimize self-heating effect.

\*2.  $f = 1\text{KHz}$ .

### Marking

Marking	KP4
---------	-----

### BZX84C15W

