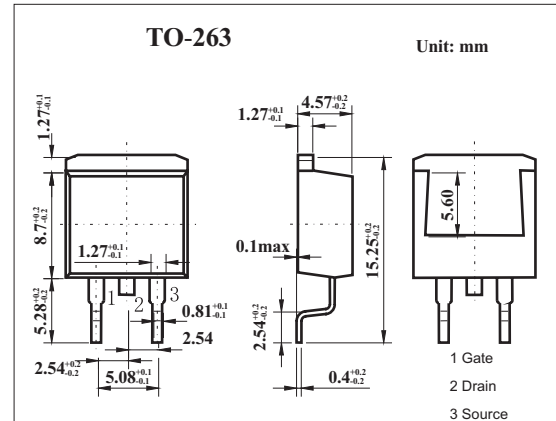


MOS Field Effect Transistor 2SK3458

■ Features

- Low gate charge
Q_G = 25 nC TYP. (V_{DD} = 450 V, V_{GS} = 10 V, I_D = 6.0 A)
- Gate voltage rating ±30 V
- Low on-state resistance
R_{DS(on)} = 2.2 Ω MAX. (V_{GS} = 10 V, I_D = 3.0 A)
- Avalanche capability ratings
- Surface mount package available



■ Absolute Maximum Ratings Ta = 25°C

Parameter	Symbol	Rating	Unit	
Drain to source voltage	V _{DSS}	800	V	
Gate to source voltage	V _{GSS}	±30	V	
Drain current	I _D	±6.0	A	
	I _{DP} *	±24	A	
Power dissipation	P _D	T _C =25°C	100	W
		T _A =25°C	1.5	
Channel temperature	T _{ch}	150	°C	
Storage temperature	T _{stg}	-55 to +150	°C	

* PW ≤ 10 μs, Duty Cycle ≤ 1%

■ Electrical Characteristics Ta = 25°C

Parameter	Symbol	Testconditions	Min	Typ	Max	Unit	
Drain cut-off current	I _{DSS}	V _{DS} =800V, V _{GS} =0			100	μA	
Gate leakage current	I _{GSS}	V _{GS} = ±30V, V _{DS} =0			±100	μA	
Gate cutoff voltage	V _{GS(off)}	V _{DS} =10V, I _D =1mA	2.5		3.5	V	
Forward transfer admittance	Y _{fs}	V _{DS} =10V, I _D =3.0A	2.0			S	
Drain to source on-state resistance	R _{DS(on)1}	V _{GS} =10V, I _D =3.0A		1.8	2.2	Ω	
Input capacitance	C _{iss}	V _{DS} =10V, V _{GS} =0, f=1MHZ		1220		pF	
Output capacitance	C _{oss}				170		pF
Reverse transfer capacitance	C _{rss}				16		pF
Turn-on delay time	t _{on}	I _D =3.0A, V _{GS(on)} =10V, R _G =10Ω, V _{DD} =150V		17		ns	
Rise time	t _r				7		ns
Turn-off delay time	t _{off}				43		ns
Fall time	t _f				11		ns
Total Gate Charge	Q _G				25		nC
Gate to Source Charge	Q _{GS}	I _D = 6.0A, V _{DD} = 450V, V _{GS} = 10 V			6		nC
Gate to Drain Charge	Q _{GD}				10		nC