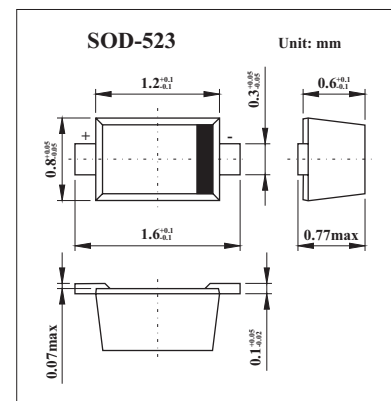


SCHOTTKY BARRIER DIODE

1PS79SB40

■ Features

- Very Low forward voltage
- Guard ring protected
- Ultra small plastic SMD package.
- Low diode capacitance.



■ Absolute Maximum Ratings $T_a = 25^\circ\text{C}$

Parameter	Symbol	Conditions	Min	Max	Unit
continuous reverse voltage	V_R			40	V
continuous forward current	I_F			120	mA
repetitive peak forward current	I_{FSM}	$t_p \leq 1 \text{ s}; \delta \leq 0.5$		120	mA
non-repetitive peak forward current	I_{FSM}	$t_p < 10 \text{ ms}$		200	mA
storage temperature	T_{stg}		-65	+150	$^\circ\text{C}$
junction temperature	T_j			150	$^\circ\text{C}$
operating ambient temperature	T_{amb}		-65	+150	$^\circ\text{C}$

■ Electrical Characteristics $T_a = 25^\circ\text{C}$

Parameter	Symbol	Conditions	Max	Unit
continuous forward voltage	V_F	$I_F = 1 \text{ mA}$	380	mV
		$I_F = 10 \text{ mA}$	500	mV
		$I_F = 40 \text{ mA}$	1	V
capacitance reverse current	I_R	$V_R = 30 \text{ V}$, note 1	1	μA
		$V_R = 40 \text{ V}$, note 1	10	μA
diodes capacitance	C_d	$V_R = 0 \text{ V}$, $f = 1 \text{ MHz}$	5	pF

Note

1. Pulse test: $t_p = 300 \mu\text{s}$, $\delta = 0.02$.

■ Marking

Marking	T
---------	---