

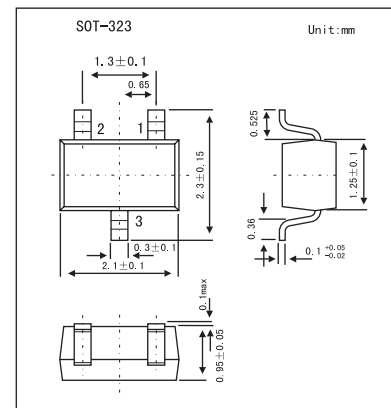
## Schottky barrier (double) diodes

1PS70SB82;1PS70SB84

1PS70SB85;1PS70SB86

## ■ Features

- Low forward voltage
- Very small SMD plastic package
- Low diode capacitance.

■ Absolute Maximum Ratings  $T_a = 25^\circ\text{C}$ 

Parameter	Symbol	Min	Max	Unit
Continuous reverse voltage	$V_R$		15	V
Continuous forward current	$I_F$		30	mA
Storage temperature	$T_{stg}$	-65	+150	$^\circ\text{C}$
Junction temperature	$T_J$		125	$^\circ\text{C}$
Thermal resistance from junction to ambient	$R_{th\ j-a}$		625	K/W

■ Electrical Characteristics  $T_a = 25^\circ\text{C}$ 

Parameter	Symbol	Conditions	Typ	Max	Unit
Forward voltage	$V_F$	$I_F = 1\text{ mA}$		340	mV
		$I_F = 30\text{ mA}$		700	
Differential diode forward resistance	$R_D$	$f = 1\text{ MHz}; I_F = 5\text{ mA}$	12		$\Omega$
Continuous reverse current	$I_R$	$V_R = 1\text{ V}; \text{note 1}$		0.2	$\mu\text{ A}$
Diode capacitance	$C_d$	$V_R = 0\text{ V}; f = 1\text{ MHz}$	1		pF

Note

1. Pulsed test:  $t_p = 300\ \mu\text{ s}; \delta = 0.02$ .

## ■ Marking

Type	1PS70SB82	1PS70SB84	1PS70SB85	1PS70SB86
Marking	88	87	85	86