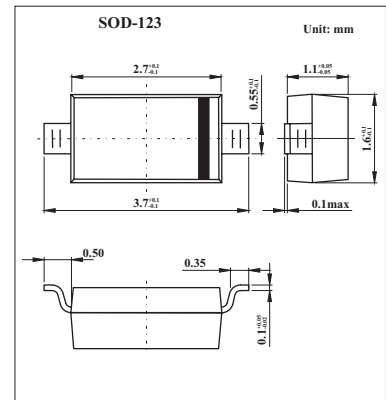


SMALL SIGNAL DIODES

1N6263W

■ Features

- Low Forward Voltage Drop
- Guard Ring Construction for Transient Protection
- Fast Switching Time
- Low Reverse Capacitance
- Surface Mount Package Ideally Suited for Automatic Insertion

■ Absolute Maximum Ratings $T_a = 25^\circ\text{C}$

Parameter	Symbol	Value	Unit
Peak Repetitive Reverse Voltage	VRRM		
Working Peak Reverse Voltage	VRWM	60	V
DC Blocking Voltage	VR		
RMS Reverse Voltage	VR(RMS)	42	V
Forward Continuous Current	IF	15	mA
Non-Repetitive Peak Forward Surge Current @ $t \leq 1.0\text{s}$	IFSM	50	mA
@ $t = 10\text{ms}$		2.0	A
Power Dissipation (Note1)	Pd	333	mW
Thermal Resistance, Junction to Ambient Air (Note 1)	θ_{JA}	300	$^\circ\text{C}/\text{W}$
Operating Temperature Range	Tj	-55 to +125	$^\circ\text{C}$
Storage Temperature Range	TSTG	-55 to +150	$^\circ\text{C}$

Note:

1. Part mounted on FR-4 board with recommended pad layout.

■ Electrical Characteristics $T_a = 25^\circ\text{C}$

Characteristic	Symbol	Test Condition	Min	Typ	Max	Unit
Reverse Breakdown Voltage (Note 2)	V(BR)R	IR = 10 μA	60			V
Reverse Leakage Current (Note2)	IRM	VR = 50 V			200	nA
Forward Voltage Drop (Note2)	VFM	IF = 1.0 mA			0.41	V
		IF = 15 mA			1.00	
Total Capacitance	CT	VR = 0V, f = 1.0 MHz			2.0	pF
Reverse Recovery Time	trr	IF = IR = 5.0 mA Irr = 0.1 x IR, RL = 100 Ω			1.0	ns

Note:

2. Short duration test pulse used to minimize self-heating effect.

■ Marking

Marking	SB
---------	----